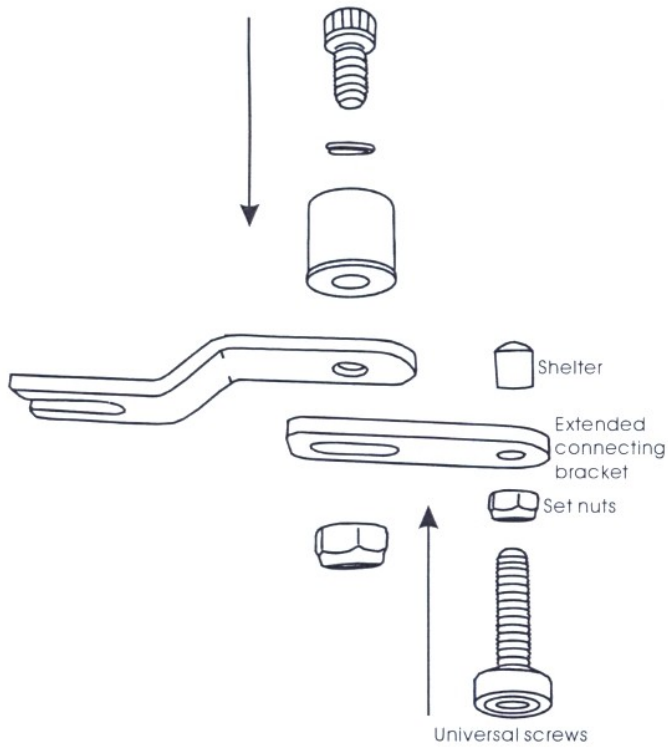


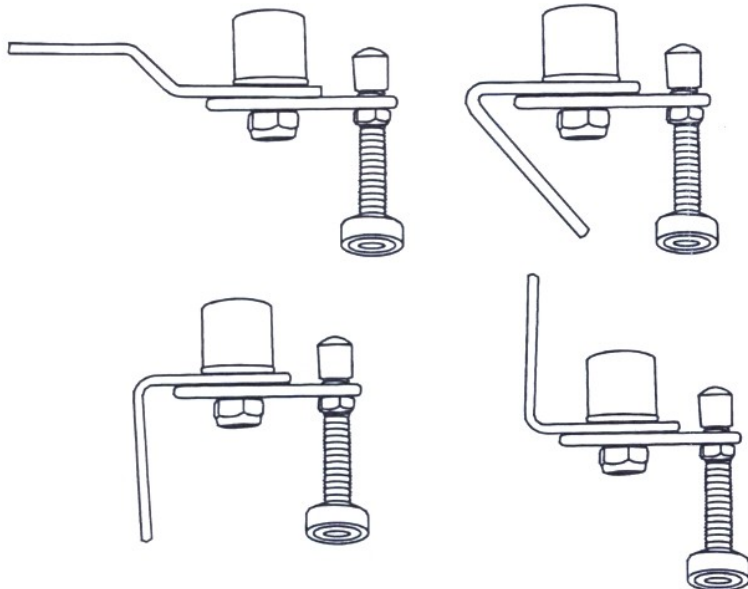
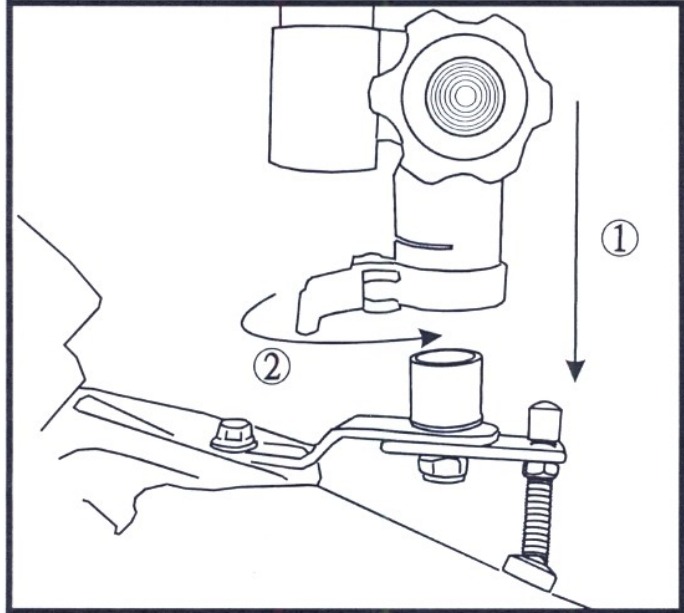
# Operation interpretation of extended connecting bracket



The extended connecting bracket set permits a stable supporting effort to the stand; follow the above figure to assemble the set.

Fasten the extended connecting bracket set to the screws at bottom of car seats; adjust the universal screw's length as substantially touch the floor; then, fasten the set nuts tightly.

Note: To acquire the best effort, keep the universal screw tough the car's floor tightly.



Follow the actual circumstance to assemble extended connecting bracket set that is best fit to your car.

While driving over rugged road surface, adjust the stands angle and mover car's seat to keep the stand close lean on car seat, which can effectively mitigate the shakes of driving.

